



## HEATER FOR TRAM LINE POINTS

### WXX 5, WXX 6, WXX 7

- made according to tram infrastructure norms
- the length of the heating element: from 2,20 to 5,50 m
- the highest resistance to tram line thawing substances
- 12-month guarantee



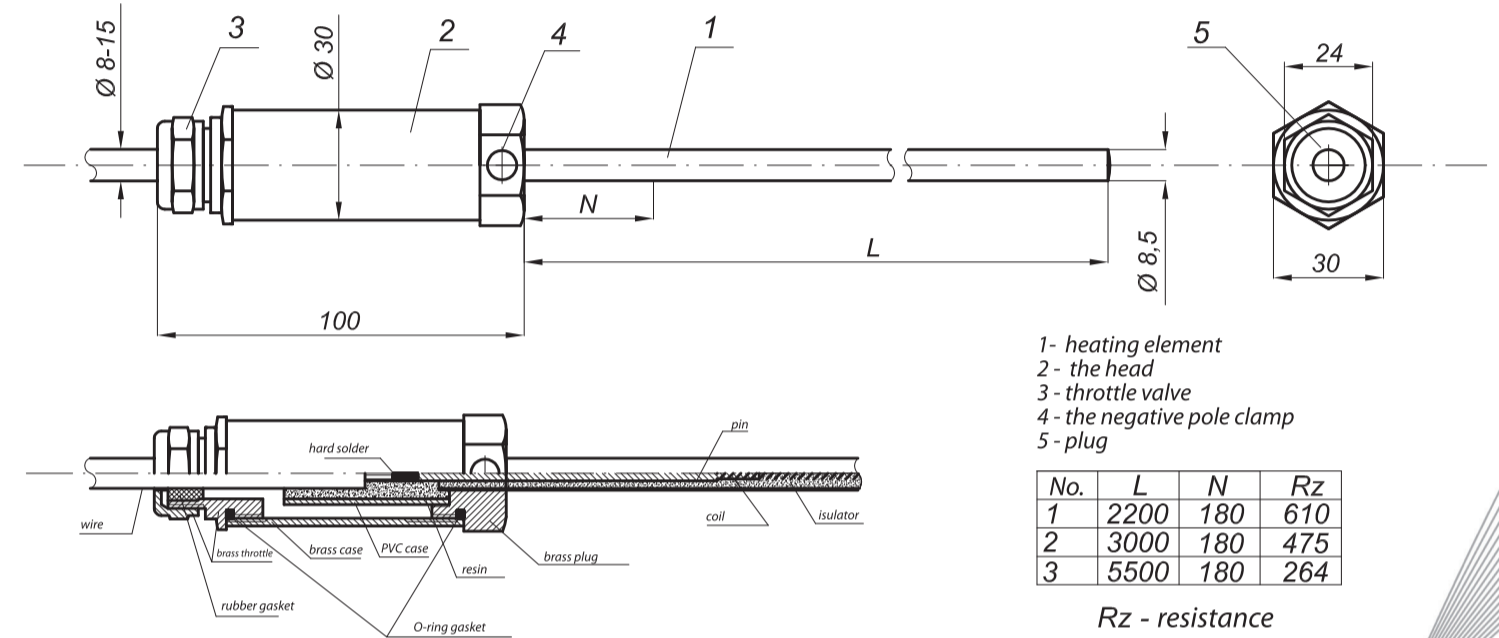
TRAM TRANSPORT

INDUSTRY SOLUTIONS



## HEATER FOR TRAM LINE POINTS

### WXX 5, WXX 6, WXX 7



WXX 5, WXX6 and WXX 7 is another offer ELIKO company has for tram infrastructure. The basic reason for using the heaters is to prevent the points in the tram line junctions from freezing. The WXX heater is an optimum solution for tram line junctions located in crucial interchanges with great traffic intensity. The head of the heating element was filled with epoxy resin (Polish commercial name: epidian), which provides excellent protection against all substances influencing the life-span of the product.

### SPECIFICATIONS

No.	Index	Name	Power	Volt.
1.	WXX5	HEATER FOR TRAM LINE POINTS 700W	700W	660V
2.	WXX6	HEATER FOR TRAM LINE POINTS 900W	900W	660V
3.	WXX7	HEATER FOR TRAM LINE POINTS 1650W	1650W	660V



ELIKO P. P. U. H.  
 Elżbieta Mońka, Roman Mońka - Sp. Jawna  
 ul. Częstochowska 30, 42-274 Konopiska  
 Telefon: (+48) 34 328 23 21, (+48) 34 328 20 45, (+48) 34 328 37 48  
 Fax: (+48) 34 328 20 44, info@eliko.pl, www.eliko.pl

[www.eliko.pl](http://www.eliko.pl)

TRAM TRANSPORT

INDUSTRY SOLUTIONS