



TOP ENTRY IMMERSION HEATER GN

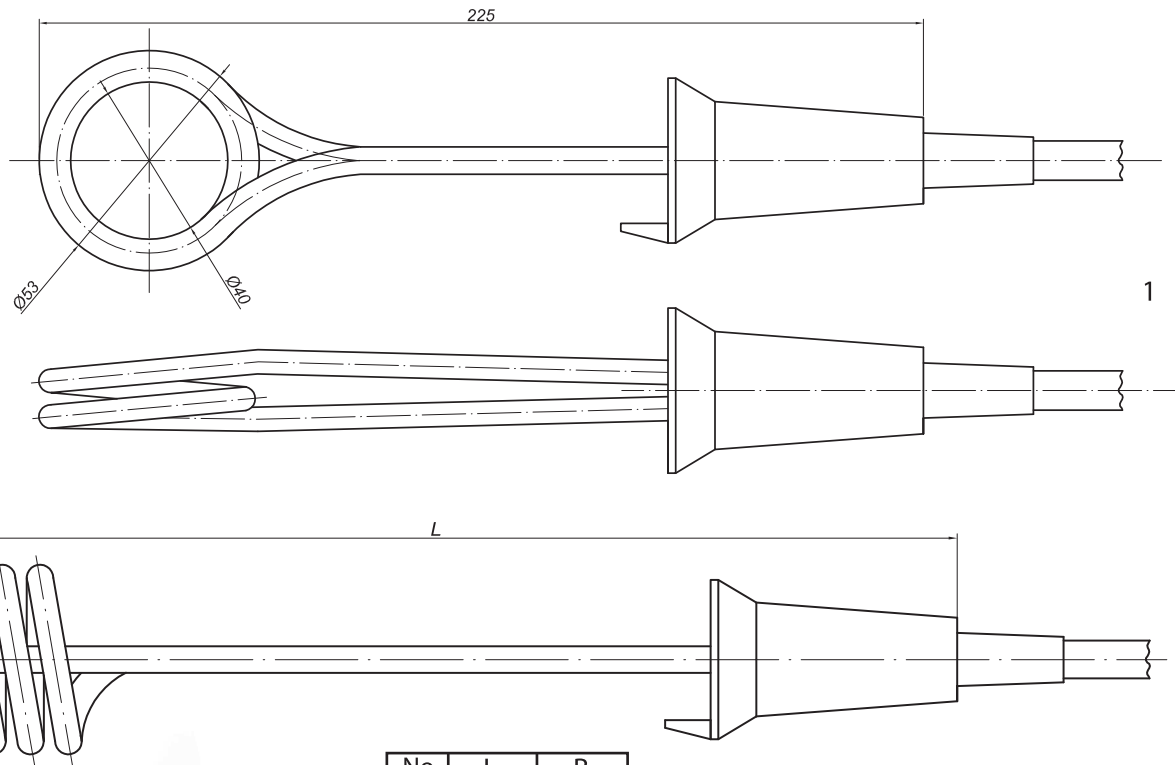


- for heating and boiling water
- safe and easy to use
- small-sized and lightweight
- handy and durable
- high wattage
- 24-month guarantee

HEATING ELEMENTS
IMMERSION HEATER



TOP ENTRY IMMERSION HEATER GN



No.	L	B
2	275	50
3	310	58

Top entry immersion heaters are used for heating and boiling water. These cheap, safe and easy to use heating units have been very popular with customers for years. Depending on their size and wattage, they can be used for heating suitable amounts of water. They are indispensable when travelling, on a camping or around the household.

SPECIFICATIONS

No.	Model	Power	Voltage
1.	W004	IMMERSION HEATERS 900W	900W 230V
2.	W005	IMMERSION HEATERS 1400W	1400W 230V
3.	W040	IMMERSION HEATERS 2000W	2000W 230V



ELIKO Przedsiębiorstwo Produkcyjno Usługowo Handlowe
Elżbieta Mońka, Roman Mońka - Sp. Jawna
ul. Częstochowska 30, 42-274 Konopiska
Telefon: (+48) 34 328 23 21, (+48) 34 328 20 45, (+48) 34 328 37 48
Fax: (+48) 34 328 20 44, info@eliko.pl, www.eliko.pl