



# HEATING MODULE WITH THERMOSTAT FOR LARGE-SIZED WATER TANKS **GRBT**

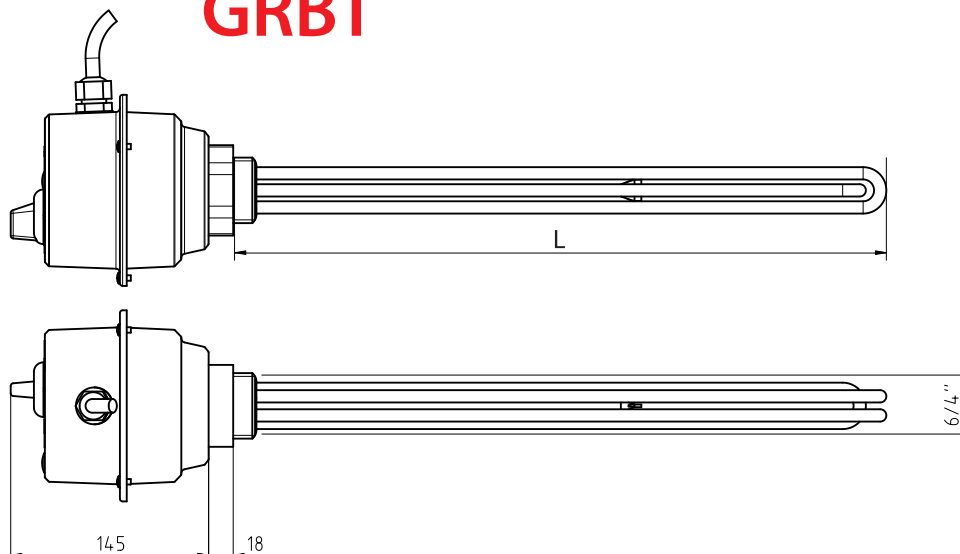


- new and ergonomic style
- for large-sized water tanks
- COTHERM thermostat
- temperature range: from 20°C to 85°C
- according to EU standards

HEATING ELEMENTS  
HEATING MODULE



# HEATING MODULE WITH THERMOSTAT FOR LARGE-SIZED WATER TANKS **GRBT**



No.	L	D
1	300	6/4"
2	400	6/4"
3	500	6/4"
4	500	6/4"
5	600	6/4"
6	750	6/4"

GRBT TSE heating module is another unit expanding ELIKO's thermostat product range and it is the most effective solution if larger amounts of hot water are required. The heaters are adjusted to be connected with a remote control system, regulating the power of the device. COTHERM thermostat with triple pole safety limiter, which stops the heater when exceeding 110°C, ensures the reliability of the product.

The heater can be used in most large-sized water tanks available in the Polish market.

## SPECIFICATIONS

No.	Index	Name	Power	Volt.
1.	W095*	HEATING MODULE GRBT 3x1000W	3000W	400V
2.	W096*	HEATING MODULE GRBT 3x1500W	4500W	400V
3.	W097*	HEATING MODULE GRBT 3x2000W	6000W	400V
4.	W098*	HEATING MODULE GRBT 3x2500W	7500W	400V
5.	W099*	HEATING MODULE GRBT 3x3000W	9000W	400V
6.	W100*	HEATING MODULE GRBT 3x4000W	12000W	400V

\*bigger flange on demand